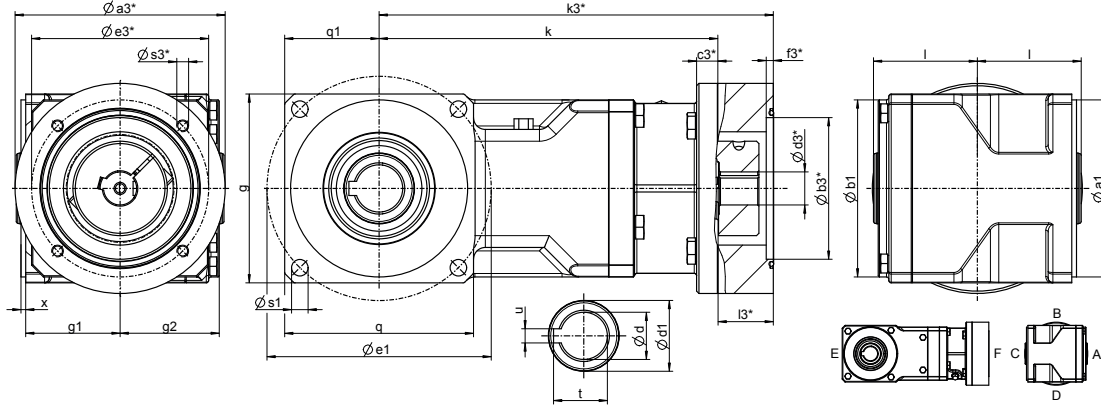


BEVEL HELICAL GEARBOX KS205 / KSN205

The bevel helical gearbox are there Aluminum (KS205) or stainless steel (KSN205)

Dimensions



Type of gerbox	Gearbox											Hollow shaft				
	Øa1 _{j6}	Øb1	Øe1	g	g1	g2	k	q	q1	s1	x	Ød ^{H7}	Ød1	l	t	u ^{J59}
KS205/KSN205	75	75	95	80	40	42	143,5	80	40	7	2	20	30	44	22,8	6

Motor shafts		
Ød3 ^{H7}	l3 (max.)	Key possible
11	40	ja
14	40	ja
19	40	only shortened

Motor flange*							
Øa3	Øb3 ^{H7}	c3	Øe3	f3	k3	s3	
79	40	9	63	3	167	M4	
89	60	9	75	3	167	M5	
114,5	80	9	100	3	174	M6	

Grooves DIN 6885, Sheet 1
 Illustrations and dimensions non-binding
 Technical changes reserved
 * other versions on request

Technical data

i	TN	TB	TS	J 10 ⁻⁴
	[Nm]	[Nm]	[Nm]	[kgm ²]
4:1	20	31	40	1,5
6:1	30	40	60	1,3
8:1	35	45	80	1,2
10:1	30	40	60	1,0
12:1	30	40	60	0,9
14:1	30	40	60	0,9
15:1	35	45	70	1,0
18:1	35	45	70	0,9
20:1	35	45	80	0,9
21:1	35	45	70	0,9
24:1	35	45	80	0,9
28:1	35	45	80	0,9

TN = Nominal torque | TB = Max. acceleration torque
 TS = Emergency shut-off moment max. 500 times
 J = Mass moment of inertia

Backlash	< 6 arcmin
Weight	KS205 4 kg, KSN205 6,4 kg
Efficiency at full load	92 %
Radial force / axial force [N] at n ₂ = 200 /1 min, lh > 20.000 h (reinforced storage)	1500 N
Nominal input speed / max. input speed [1/min] – permissible operation temperature must not be exceeded	3.000 1/min
Lifetime	> 30.000 h
Lubricant	lifetime lubrication
Protection class	IP65
Mounting position	universal
Permissible operation temperature	-20 °C to +90 °C

Reh fuss Drive Solutions GmbH

E-Mail: info@rehfuss.com
 reh fuss.com

Tel.: +49 7432 7015-0
 Fax: +49 7432 7015-90