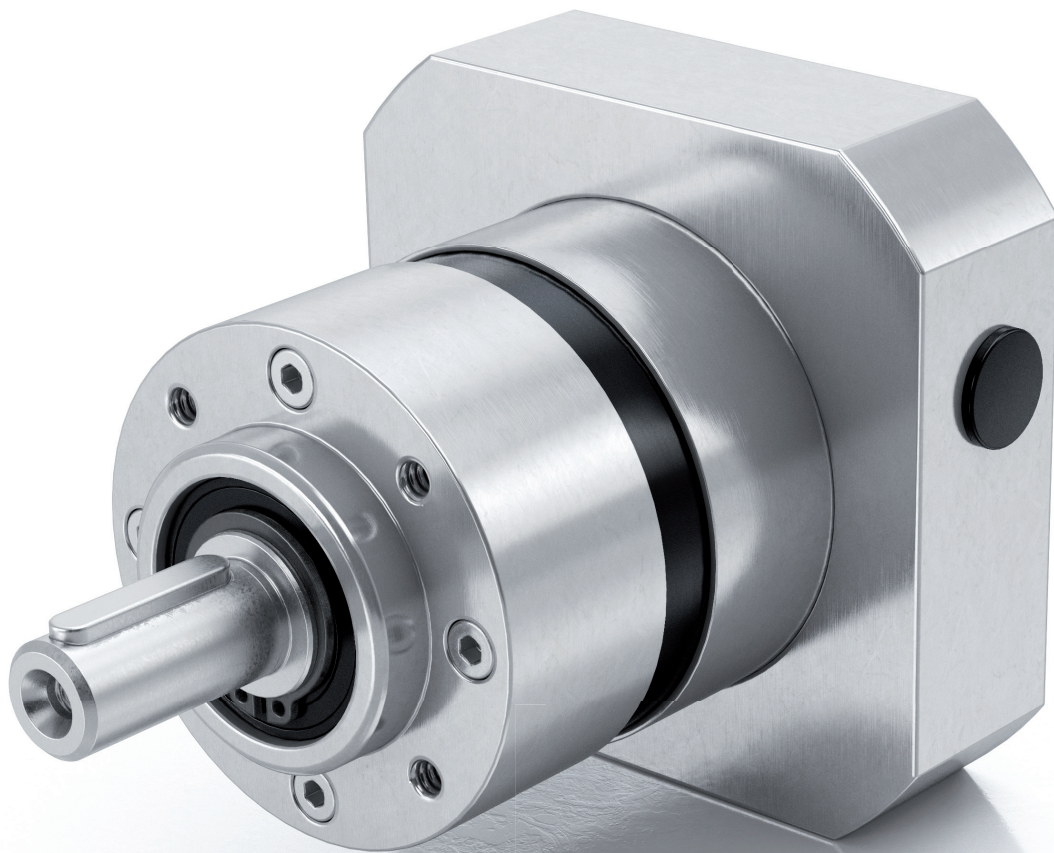
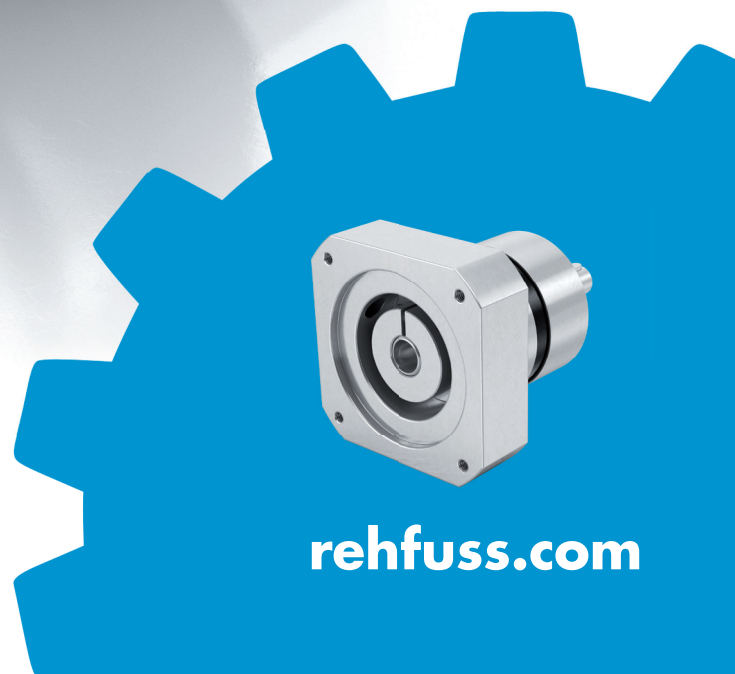


PLANETARY GEARBOX PS



**success based on
quality and reliability**



rehfuss.com

Technical data

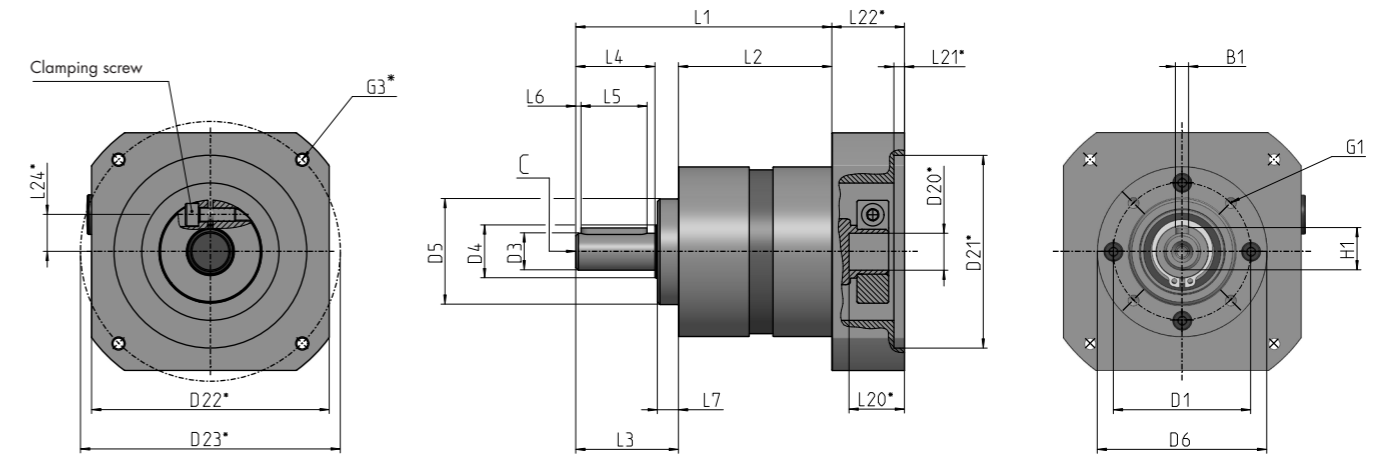
T2N = Nominal output torque, T2B = Max. acceleration torque, T2S = Emergency stop torque. (max. 100 times), J = Mass moment of inertia, VS = Torsional stiffness

1-stage		PS104Z					PS106Z					PS108Z					PS110Z					PS130Z				
Ratio i	T2N	T2B	T2S	J	VS	T2N	T2B	T2S	J	VS	T2N	T2B	T2S	J	VS	T2N	T2B	T2S	J	VS	T2N	T2B	T2S	J	VS	
	Nm	Nm	Nm	kgcm ²	Nm/arcmin	Nm	Nm	Nm	kgcm ²	Nm/arcmin	Nm	Nm	Nm	kgcm ²	Nm/arcmin	Nm	Nm	Nm	kgcm ²	Nm/arcmin	Nm	Nm	Nm	kgcm ²	Nm/arcmin	
3	5,0	10	20	0,06	0,85	30	45	72	0,45	2,4	88	120	180	1,37	7,1	150	260	350	6,54	17	405	490	860	12,3	33	
4	8,5	13	26	0,04	0,85	40	62	84	0,38	2,4	120	130	216	1,14	7,1	230	300	480	4,80	17	480	500	1000	7,65	33	
5	7,5	13	26	0,04	0,85	35	56	84	0,36	2,4	110	110	216	1,05	7,1	200	275	480	4,05	17	440	460	1000	6,24	33	
7	7	13	26	0,04	0,65	26	44	84	0,35	1,7	66	85	216	0,97	4,8	120	200	480	3,40	14	310	460	1000	4,70	27	
8	7,5	9	22	0,04	0,65	19	26	80	0,35	1,7	53	68	180	0,97	4,8	152	175	390	3,40	14	390	440	900	4,70	27	
10	10	13	20	0,04	0,45	16	24	62	0,34	1,3	40	75	160	0,93	3,4	105	180	410	3,10	8,3	180	340	800	3,80	22	
Torsional backlash [arcmin]		< 15					< 10					< 7					< 7					< 7				
Weight approx. [kg]		0,4					0,9					2,2					5,6					10,3				
Efficiency at full load [%]		94																								

2-stage		PS204Z					PS206Z					PS208Z					PS210Z					PS230Z				
Ratio i	T2N	T2B	T2S	J	VS	T2N	T2B	T2S	J	VS	T2N	T2B	T2S	J	VS	T2N	T2B	T2S	J	VS	T2N	T2B	T2S	J	VS	
	Nm	Nm	Nm	kgcm ²	Nm/arcmin	Nm	Nm	Nm	kgcm ²	Nm/arcmin	Nm	Nm	Nm	kgcm ²	Nm/arcmin	Nm	Nm	Nm	kgcm ²	Nm/arcmin	Nm	Nm	Nm	kgcm ²	Nm/arcmin	
9	10	12,5	20	0,04	0,85	35	52	72	0,38	2,4	105	140	160	1,14	7,1	210	260	400	4,80	17	450	500	860	12,3	33	
12	10	12,5	20	0,04	0,85	43	57	72	0,38	2,4	110	160	160	1,14	7,1	260	310	500	4,80	17	500	500	1000	12,3	33	
15	10	12,5	20	0,04	0,85	44	55	84	0,38	2,4	118	150	216	1,14	7,1	230	350	400	4,80	17	470	460	1000	7,65	33	
16	14	17,5	26	0,04	0,85	52	71	84	0,38	2,4	139	163	216	1,14	7,1	320	380	500	4,80	17	500	500	1000	7,65	33	
20	14	17,5	26	0,04	0,85	52	71	84	0,36	2,4	139	163	216	1,05	7,1	320	380	500	4,80	17	500	500	1000	6,24	33	
25	12	14	26	0,04	0,85	47	62	84	0,36	2,4	118	138	216	1,05	7,1	260	350	500	4,80	17	460	460	1000	6,25	33	
32	13	18	26	0,04	0,85	52	71	84	0,35	2,4	139	163	216	1,05	7,1	320	380	500	4,80	17	500	500	1000	4,70	33	
35	12	14	26	0,04	0,85	44	62	84	0,35	2,4	118	138	216	0,97	7,1	260	350	480	3,40	17	460	460	1000	4,70	33	
40	14	17,5	26	0,04	0,85	42	71	84	0,34	2,4	139	163	216	0,93	7,1	320	380	480	4,80	17	500	500	1000	3,80	33	
50	12	14	26	0,04	0,85	44	62	84	0,34	2,4	118	138	216	0,93	7,1	260	350	480	4,80	17	460	460	1000	3,80	33	
64	10	14	27	0,04	0,85	21	29	80	0,34	2,4	66	75	180	0,93	7,1	155	175	390	4,80	17	420	480	900	3,80	27	
70	14	17,5	26	0,04	0,85	42	52	84	0,34	1,7	100	125	216	0,93	4,8	210	255	480	4,80	14	340	460	1000	3,80	27	
80	20	24	27	0,04	0,85	21	30	80	0,34	1,7	65	75	180	0,93	4,8	155	175	390	4,80	14	420	480	900	3,80	27	
100	17	24	20	0,04	0,45	18	28	62	0,34	1,3	64	80	160	0,93	3,4	165	180	410	4,80	8,3	190	340	800	3,80	22	
Torsional backlash [arcmin]		< 19					< 12					< 9					< 9					< 10				
Weight approx. [kg]		0,5					1,2					3,0					7,7					12,8				
Efficiency at full load [%]		92																								

Radial force / Axial force [N] at n2 = 100 1/ min, Lh Lager > 10,000 hours									
400 / 300		450 / 550		800 / 1200		1600 / 2000		6500 / 7500	
Noise emission (dbA) at n1= 3000 1/min, Measuring point 1m distance, without load									
< 62		< 62		< 64		< 67		< 70	
Nominal input speed / max. input speed [1/min] – allowed operation temperature must not be exceeded									
3500 / 6000		3500 / 6000		3000 / 6000		2500 / 5000		2500 / 4500	
Life time [h]									
> 30.000									
Lubrication									
Lifetime lubrication									
Protection class									
IP54									
Installation position									
universal									
Operation temperature									
-20°C to +90°C									

Dimensions (in mm):



Type of gearbox	PS104Z	PS204Z	PS106Z	PS206Z	PS108Z	PS208Z	PS110Z	PS210Z	PS130Z	PS230Z		
	1-stage	2-stage	1-stage	2-stage	1-stage	2-stage	1-stage	2-stage	1-stage	2-stage		
D1	Pitch circle Ø		34		52		70		100		145	
D3 _{h7}	Output shaft Ø		10		14		20		25		40	
D4	Shaft collar Ø		12		17		25		35		50	
D5 _{h7}	Centering Ø		26		40		60		80		130	
D6	Housing Ø		40		60		80		115		160	
G1	Thread / depth (4x)		M4/6,5		M5/12		M6/14		M10/16		M12/22	
C	center thread / depth		M3/9		M5/12		M6/16		M10/22		M16/36	
L1	Length without drive flange		75,7	91,3	98,2	120,3	113,5	138	155,1	187,1	248,5	290
L2	Housing length		49,7	65,3	63,3	85,4	73,5	98	100,1	132,1	161,5	203
L3	Installation dimension		26		35		40		55		87	
L4	Shaft length		23		30		36		50		80	
L7	Centering collar length		2		4		3		4		5	
L5	Feather key length		18		25		28		40		65	
L6	Feather key position		2,5		2		4,5		5		8	
B1	Feather key width		3		5		6		8		12	
H1	Height including feather key		11,2		16		22,5		28		43	
Drive flange / motor shaft												
Standard drill hole clamping system												
Max. drill hole clamping system												
D20*	Diameter drill drive		11		14		19		24		32	
D21 ^{G7*}	Inner diameter centering		14		19		24		35		38	
D22*	□ - Drive flange											
D23*	Bolt circle thread drive flange											
L20*	Length diameter drive											
L21*	Length Inner centering											
L22*	Length of drive flange											
L24*	Position clamping screw											
G3*	Mounting thread											

*Motor-specific flange and motor shaft geometries. For motor shafts without feather key. Dimensions vary.

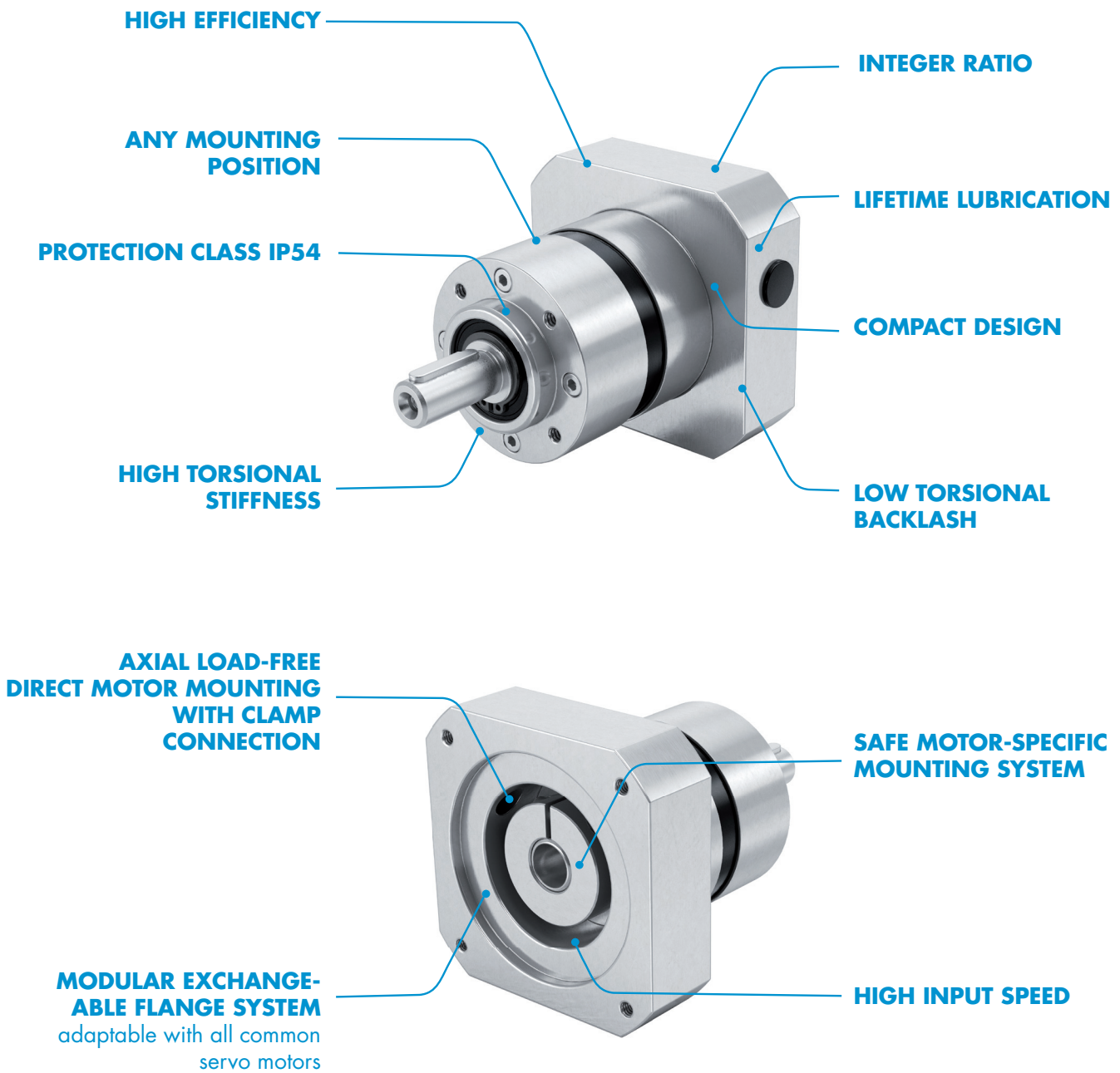
Order key:

PS106Z-0005-MF-XXXXXX

Model series | Size | Reduction | Motor shaft code | Motor flange code

Stage with centering collar | Motor flange | Motor flange code

Highlights



Options:

- Can be combined with all of our motors as well as other motor connections
- Suitable for applications in almost all industries
- Flange options for synchronous servo motors

Characteristics:

- Robust and compact
- Lifetime lubrication
- Aluminum housing
- Any mounting position

Reh fuss Drive Solutions GmbH

E-Mail: info@rehfuss.com
rehfuss.com

Phone: +49 7432 7015-0
Fax: +49 7432 7015-90